

ARTINOX

PRISMA 65

SOLO
Sinks



Installations

Topmount

Code

PRI65

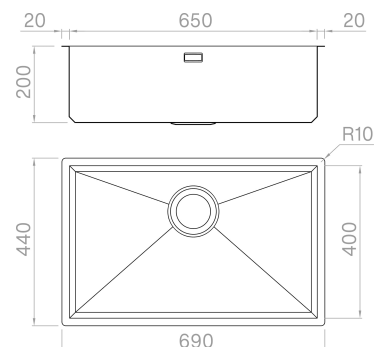
Description

A perfect combination of precision and geometry. In this collection the side corners with zero radius are linked to the bottom, where the perimeter is tilted to 45°.

Accessories included

Technical details

Material	AISI 304
Finishing	Brushed
Internal radius	welded at a 90-degree
External dimensions	corners
Basin dimensions	690 x 440 mm
Basin depth	650 x 400 mm
Drain	200 mm
Base	inox 3 ½"
	750 mm



Artinox SpA reserves the right to modify the characteristics of the products at any time. Technical data, illustrations and information are non-binding. Artinox SpA is not responsible for any mistakes of illustrations, text and/or translations.