

ARTINOX

# PLANUM BR 111

READY  
Workstation Sinks



## Installations

Topmount

## Code

SAPBRI11

## Description

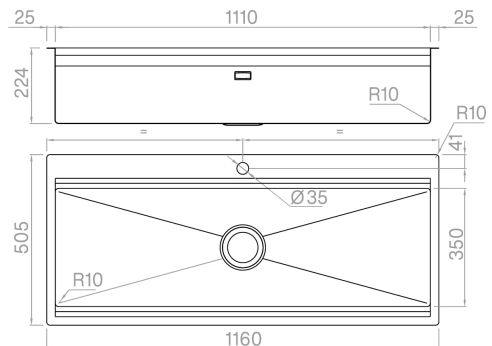
All Planum workstations offer a double slide level. Thanks to the many accessory combinations you can customize your working area.

## Accessories included

25 - SLANTED COLANDER  
27 - BASIN  
11 - GRID

## Technical details

|                     |                     |
|---------------------|---------------------|
| Material            | AISI 304            |
| Finishing           | Brushed             |
| Internal radius     | welded 10 mm radius |
| External dimensions | 1160 x 505 mm       |
| Basin dimensions    | 1110 x 350 mm       |
| Basin depth         | 254 mm              |
| Drain               | inox Plus 3 1/2"    |
| Base                | 1200 mm             |



Artinox SpA reserves the right to modify the characteristics of the products at any time. Technical data, illustrations and information are non-binding. Artinox SpA is not responsible for any mistakes of illustrations, text and/or translations.